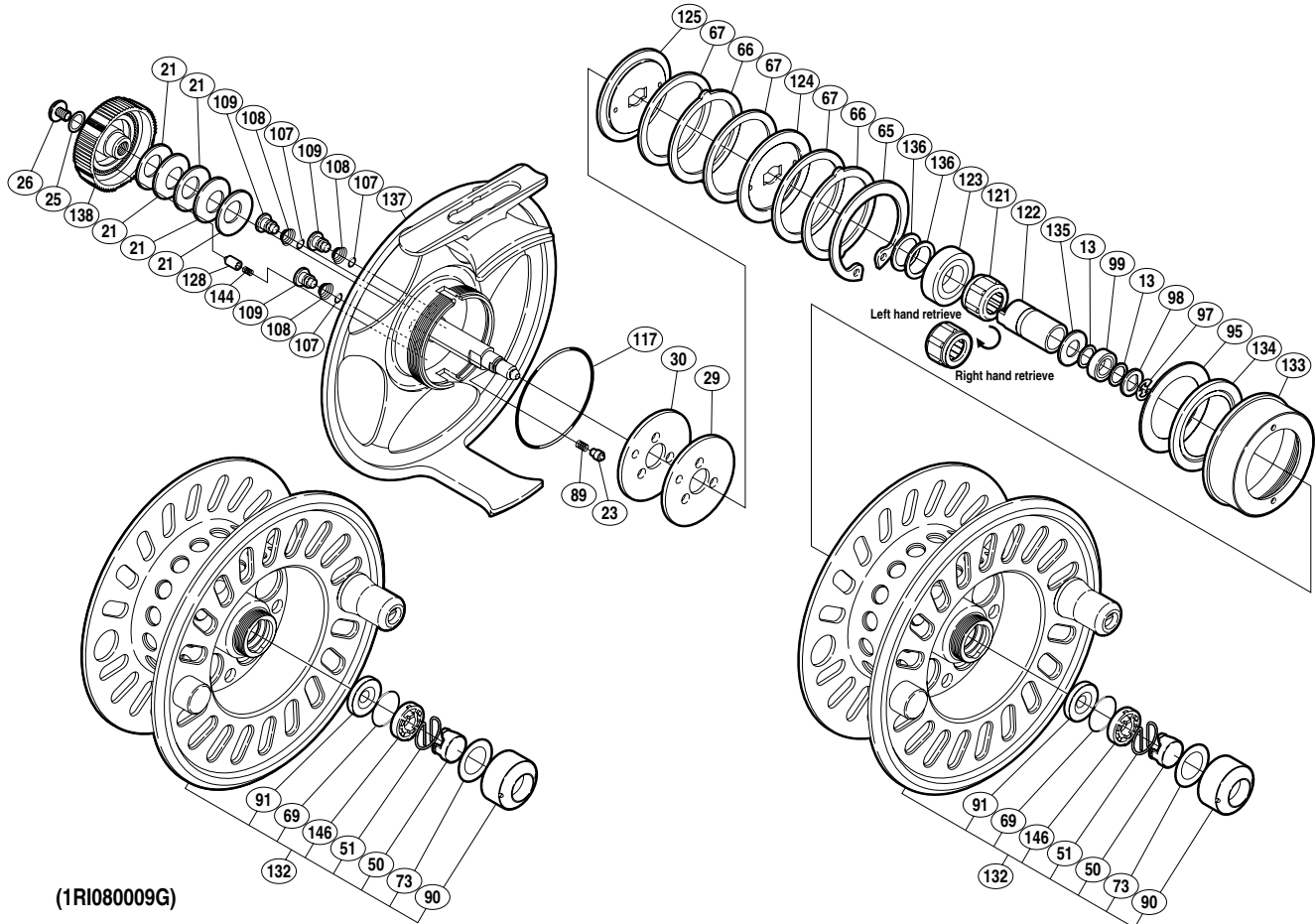


SHIMANO

BIGRAFT XTR SA-RB

BC-XTR910LA



(1R1080009G)

Part No.	Description	Part No.	Description
FLY0013	Washer	FLY0099	Ball Bearing
FLY0021	Coned Disc Spring	FLY0107	Drag Press Seal
FLY0023	Click Pin	FLY0108	Drag Press Spring
FLY0025	Washer	FLY0109	Drag Press
FLY0026	Drag Knob Screw	FLY0117	O Ring
FLY0029	Drag Washer	FLY0121	Roller Clutch
FLY0030	Drag Washer	FLY0122	Roller Clutch Inner Tube
FLY0050	Push Button	FLY0123	Ball Bearing
FLY0051	Locking Spring	FLY0124	Drag Plate
FLY0065	Snap Spring	FLY0125	Drag Plate
FLY0066	Eared Washer	FLY0128	Click Pin
FLY0067	Drag Washer	FLY0132	Spool Set
FLY0069	O Ring	FLY0133	Seal Cover
FLY0073	Washer	FLY0134	Seal
FLY0089	Click Spring	FLY0135	Bearing Spacer
FLY0090	Push Button Collar	FLY0136	Washer
FLY0091	Spool Seal	FLY0137	Back Plate Assembly
FLY0095	Seal Support	FLY0138	Drag Knob
FLY0097	E Lock	FLY0144	Click Spring
FLY0098	Washer	FLY0146	Main Shaft Bushing